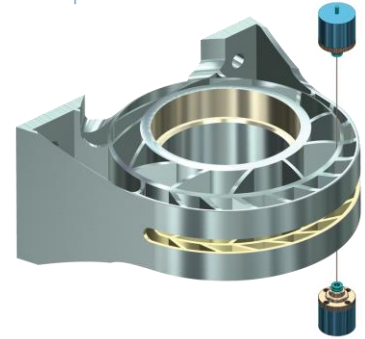


Mastercam - Wire Class

Course Description

This course will focus on delivering you a foundation in the Mastercam Wire product to start you on the right path to success. You will learn the critical steps needed to take a digital file all the way to the shop floor while utilizing specific wire toolpaths inside the Mastercam software.



Method of Instruction

This class can be conducted in person or online. If online training is suitable, we will check the connection and privacy settings prior to ensure secure communication between FASTech and the customer. All materials can be left at customer's site to be reviewed later at their own pace.




Objectives

After completing this course, you will be able to:

- Explain and discuss the workflow for creating toolpaths for CNC Wire Machines
- Create additional geometry when needed to sync and align geometry
- Articulate the difference between 2-axis and 4-axis Wire toolpath and strategies

Course Topics

-  Contour
-  No-Core path
-  Contour with taper
-  Start of wire
-  End of wire
-  Power Tables
-  Multi-passes
-  Skim Cuts
-  Contour taper with land
-  4 axis cuts
-  Tab cuts
-  Nesting of wire paths

Course Requirements

- Basic knowledge of using Mastercam and/or optional Mastercam Skills Assessment
- Mastercam Wire
- Internet Connection when online training is required/requested

Grading

Grades will be available from the Instructor Dashboard for assessment questions. Challenge assignments will not be graded in the system and must be reviewed manually or peer reviewed.

Course Completion Time

Course in a combined minimum of 8 hours in person and/or online meetings.

Each online course lesson includes challenges and assessments. Completion time will vary from student to student.

Course completion time is based on the user having prior experience in the Mastercam product, additional 8 hours may apply if the user has not been approved via the initial assessment

Next Steps

After completion of this course students are encouraged to continue their growth and exploration of the software through additional custom training or specific Mastercam product classes/courses.



Make sure to sign up for our Home Learning Edition on our website to get started on using Mastercam today!

[Home Learning Edition Sign-up](#)

Or check out our website directly at: www.fastechinc.net for additional learning content and information on everything Mastercam related.